

APPLICATION

The 7617ADW Crank Arm Assembly is used with Modutrol IV motors. It is very similar to the 7616BR Crank Arm. It is 3/4" shorter than the 7616BR, to allow full rotation of the Modutrol IV Crank Arm without requiring use of the 220738A adapter bracket. The push-on clip slips into the shaft groove to retain the crank arm on the motor. To install the crank arm follow the instructions below.

INSTALLATION

1. Install the crank arm on the shaft (Fig. 1). Note: If motor doesn't have a grooved shaft, omit Steps 2 and 3.
2. Insert the clip at A between the two pieces of the crank arm (Fig. 2). The positioning screw must be loose to give clearance.
3. Push the clip in until it snaps into the groove in the shaft.
4. Tighten the tension screw securely.
5. After tightening the positioning screw (see instructions for motor), be sure the crank arm is firmly installed on the shaft.

Avoid the incorrect position shown in Fig. 3, where the arm is not all the way on the shaft. When correct installation is made, the shaft end will be flush with, or projecting from the hole in the crank arm, and the crank arm will rest against the shoulder of the shaft.

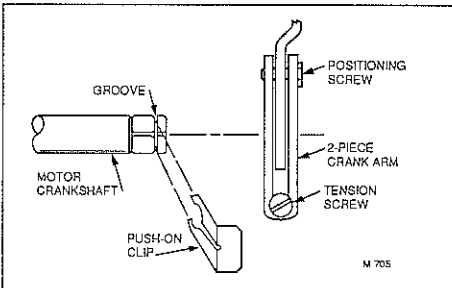


Fig. 1—Arrangements of parts. Clip to fit in groove, as shown.

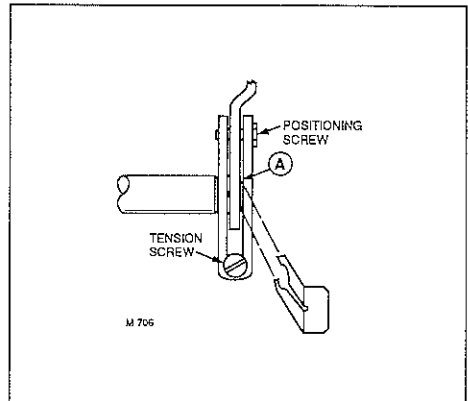


Fig. 2—Insertion of clip through slot in crank arm.

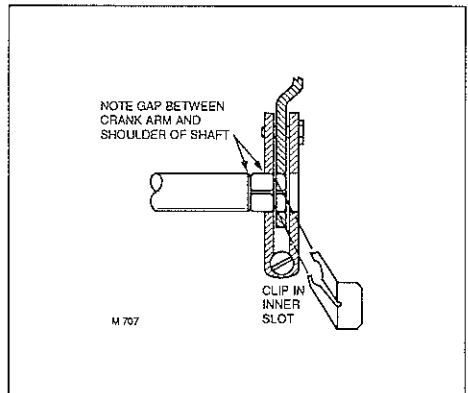


Fig. 3—Incorrect positions.

Honeywell Inc.
 U.S.A.: 1885 Douglas Drive N.
 Golden Valley, MN 55422-4386
 CANADA: 740 Ellesmere Road
 Scarborough, Ontario M1P 2V9

International Sales Offices in all principal cities of the world. Manufacturing in Australia, Canada, Finland, France, Germany, Japan, Mexico, Netherlands, Spain, Taiwan, United Kingdom, U.S.A.

PRINTED IN U.S.A.



QUALITY IS KEY