

V5422E/L

BUTTERFLY VALVES PN10

WITH FACTORY-MOUNTED ACTUATOR

D	Montageanweisung	Klappenantrieb
F	Instructions d'installation	Vanne papillon
I	Istruzioni per l'installazione	Valvola a farfalla
NL	Installatievoorschrift	Scharnierklep
DK	Installationsinstruktioner	Drejespændsventiler
N	Instruks for installasjon	Spjeldventiler
FIN	Asennusohje	Läppäventtiili
S	Installationsinstruktioner	Vridspjällventiler
E	Instrucciones de montaje	Válvulas de mariposa

INSTALLATION INSTRUCTIONS

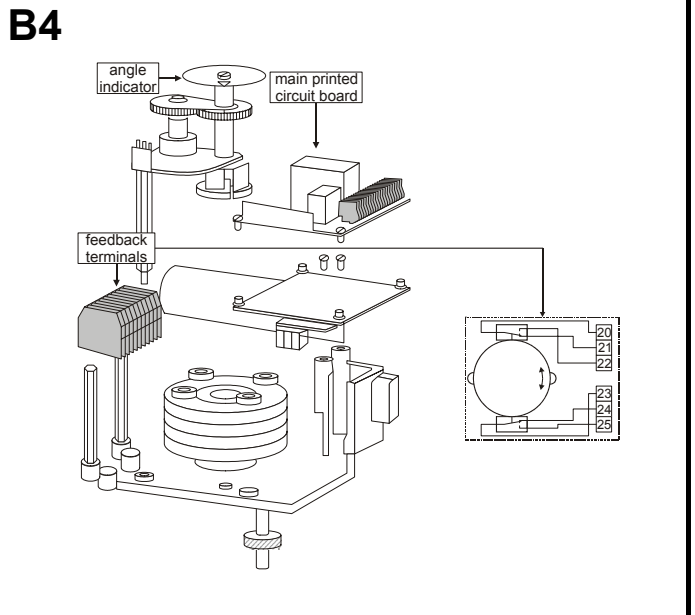
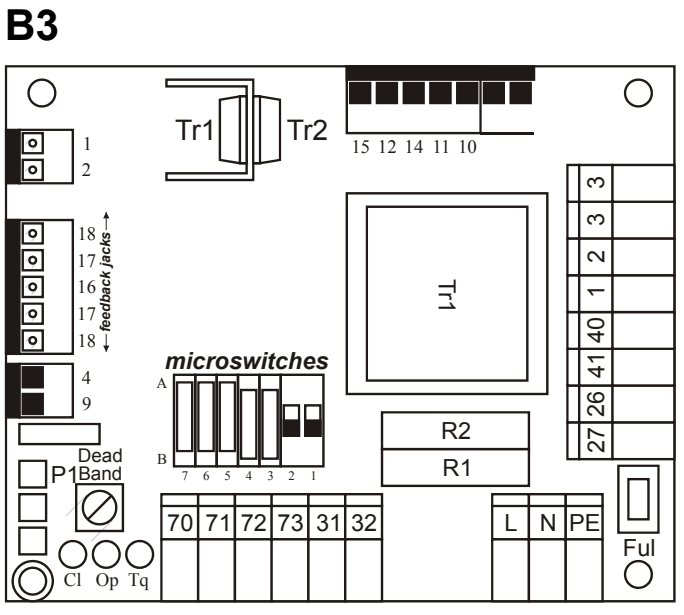
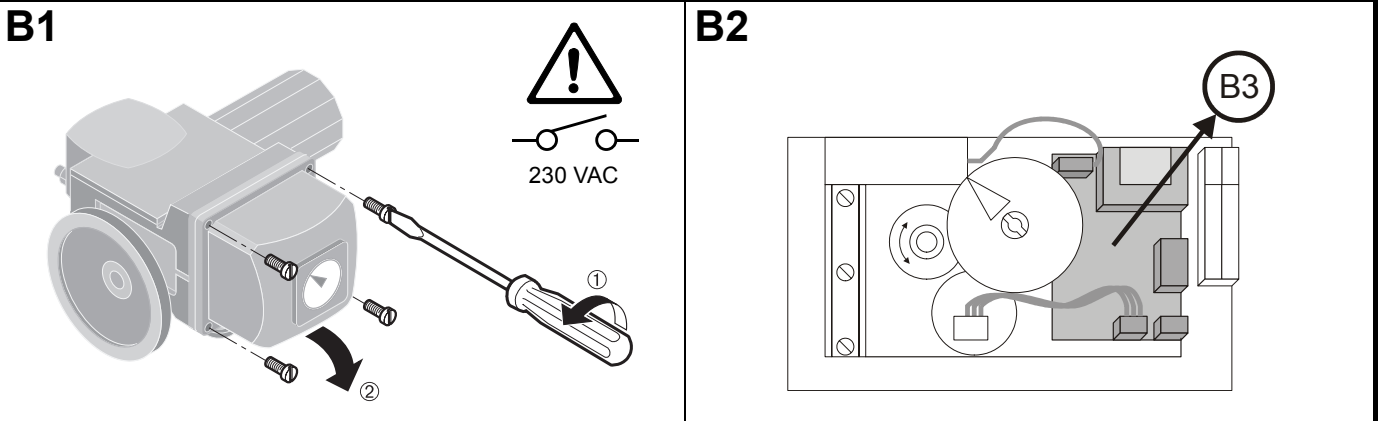
<p>A0-1 DN250 – 400</p>	<p>A0-2</p>	<p>A1</p> <table border="1"> <thead> <tr> <th colspan="2">TYPE</th> <th>DN</th> <th>B (mm)</th> </tr> </thead> <tbody> <tr> <td>V5422L1006</td> <td>V5422E1001</td> <td>250</td> <td>68</td> </tr> <tr> <td>V5422L1014</td> <td>V5422E1019</td> <td>300</td> <td>78</td> </tr> <tr> <td>V5422L1022</td> <td>V5422E1027</td> <td>350</td> <td>78</td> </tr> <tr> <td>V5422L1030</td> <td>V5422E1035</td> <td>400</td> <td>102</td> </tr> </tbody> </table>	TYPE		DN	B (mm)	V5422L1006	V5422E1001	250	68	V5422L1014	V5422E1019	300	78	V5422L1022	V5422E1027	350	78	V5422L1030	V5422E1035	400	102
TYPE		DN	B (mm)																			
V5422L1006	V5422E1001	250	68																			
V5422L1014	V5422E1019	300	78																			
V5422L1022	V5422E1027	350	78																			
V5422L1030	V5422E1035	400	102																			
<p>A2</p>	<p>A3</p>	<p>A4</p>																				

D Einstellungen
F Réglages
I Impostazioni

NL Instellingen
DK Indstillinger
N Innstillinger

FIN Asetukset
S Inställningar
E Ajustes

SETTINGS

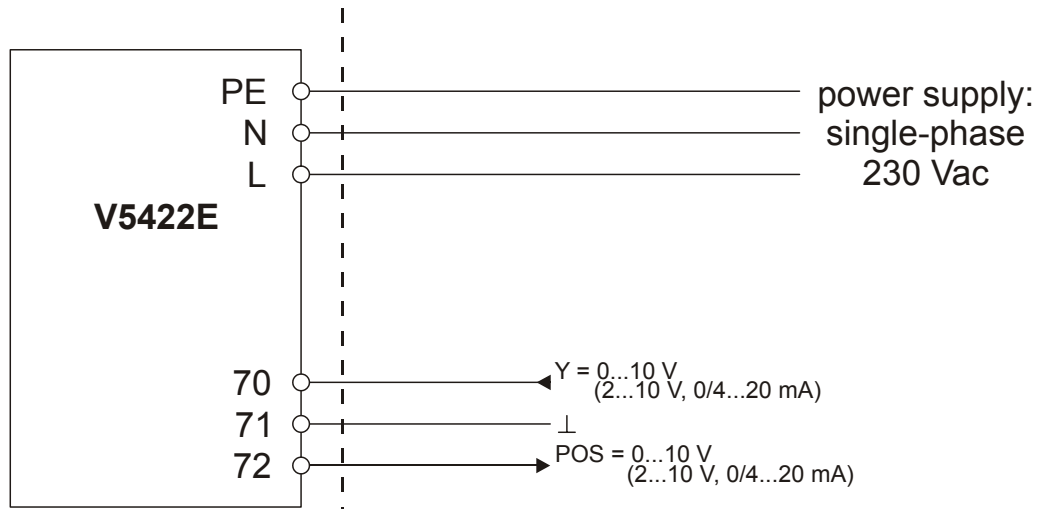


C only V5422E

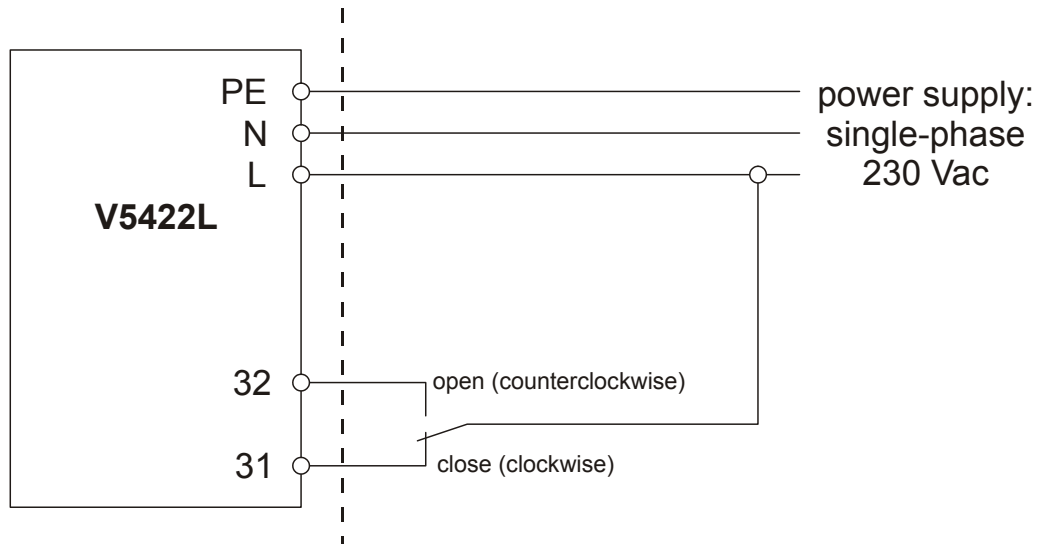
Control/Feedback Signal	Microswitch Position			
	1	2	3	4
0...10 V	B	B	B	B
2...10 V	B	B	B	A
4...20 mA	A	A	A	A
0...20 mA	A	A	A	B

	D	F	I	NL	DK	N	SF	S	E
Control / Feedback Signal	Steuer- / Rückkopplungssignal	Signal de réglément / rétroaction	Segnale di controllo / retroazione	Regeling / Terugkoppelsignaal	Regulering / Feedback-signal	Kontroll / Feedback-signal	Ohjaus / Takaisinkytkentäviesti	Reglering / Feedback-signal	Señal de control / retroalimentación
Microswitch Position	Mikroschalter-position	Position du micro-interrupteur	Posizione microinterruttore	Microschakelaarpositie	Mikroswitch-position	Mikrobryterposisjon	Mikrokytkin-asento	Mikrobrytar-position	Posición de microinterrupor

D a



D b



Manufactured for and on behalf of the Environmental and Combustion Controls Division of Honeywell Technologies Sàrl, Ecublens, Route du Bois 37, Switzerland by its Authorized Representative:

Automation and Control Solutions

Honeywell GmbH
Böblinger Straße 17
D-71101 Schönaich
Phone: (49) 7031 63701
Fax: (49) 7031 637493
<http://ecc.emea.honeywell.com>

Subject to change without notice. Printed in Germany.

MU1B-0197GE51 R1107