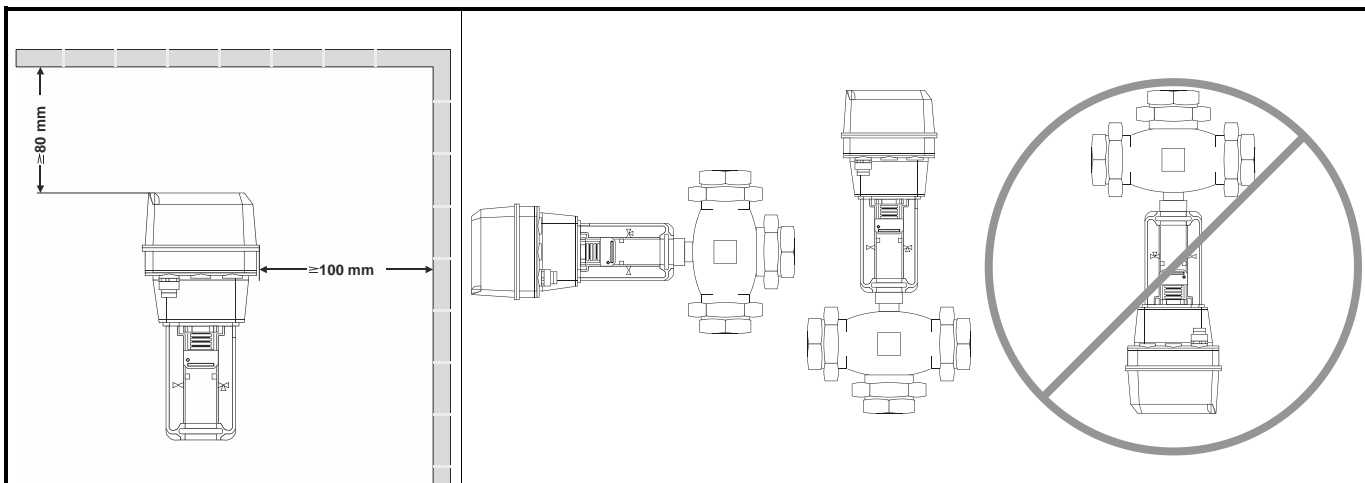


SF Asennusohje  
S Installation instruktioner  
N Installationsinstruktioner  
DK Installasjonsinstruktus  
NL Installatievoorschrift  
D Montageanweisung  
F Instructions d'installation  
ES Instrucciones de montaje  
I Istruzioni di montaggio

# ML6420A3072

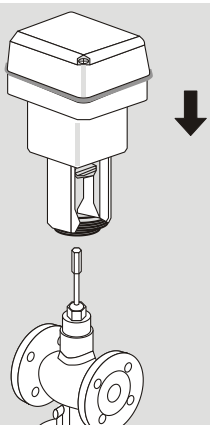
## Electric Linear Valve Actuator

### INSTALLATION INSTRUCTIONS

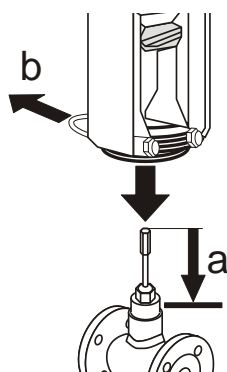


#### A1-A7: Installation

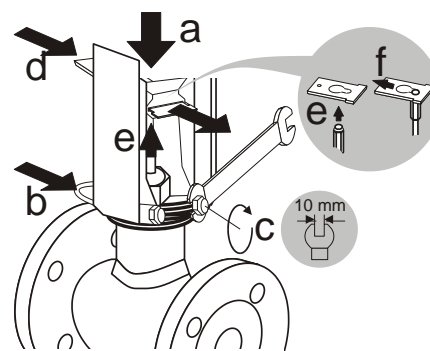
mounting  
D Einbau  
F montage  
I montaggio  
NL montage  
DK montere  
N monterings  
FIN asentaminen  
S montera  
E montaje



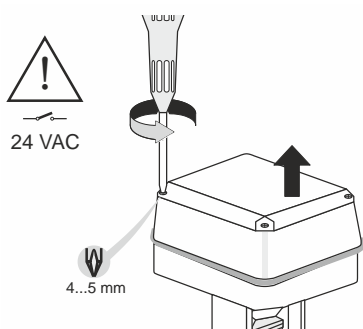
#### A1



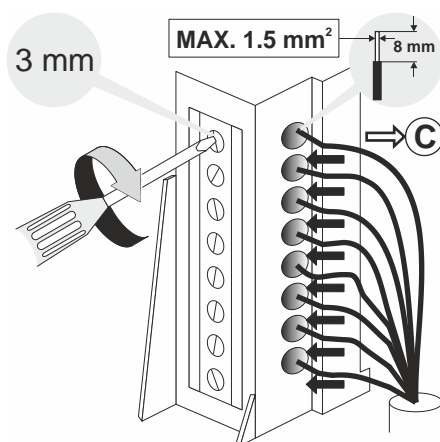
#### A2



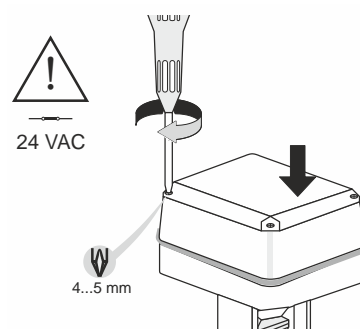
#### A3



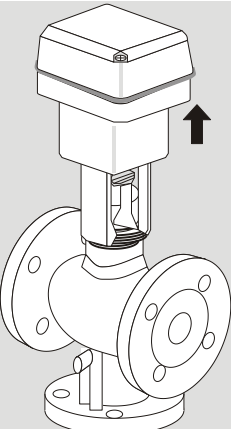
#### A4



#### A5

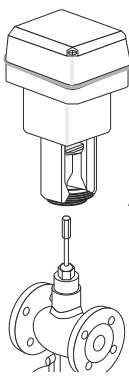


**B0**

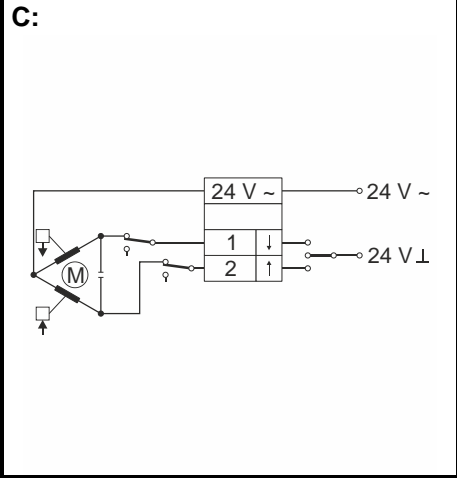


dismounting  
**D** Ausbau  
**F** démontage  
**I** smontaggio  
**NL** demontage  
**DK** afmontere  
**N** demontere  
**FIN** purkaminen  
**S** nedmontera  
**E** desmontaje

**B1**



A3 → A4 → A5 → A2 → A1



Manufactured for and on behalf of the Environmental & Energy Solutions Division of Honeywell Technologies Sàrl, Rolle, Z.A. La Pièce 16, Switzerland by its Authorized Representative:

**Home and Building Technologies**

Honeywell GmbH  
 Böblinger Strasse 17  
 71101 Schönaich  
 Germany

Phone: (49) 7031 637 01

Fax: (49) 7031 637 740

<http://ecc.emea.honeywell.com>

Subject to change without notice. Printed in Germany

MU1B-0236GE51 R0216D