

MVN Rotary Valve Actuators

3-Nm Rotary Valve Actuators

MOUNTING INSTRUCTIONS

1

MVN613A, MVN643A, MVN663A, MVN713A



VBG 2-WAY VALVES
DN15-32



VBG 3-WAY VALVES
DN15-32



2



LVD 2006/95/EC
EMC 89/336/EEC
RoHS 2002/95/EEC



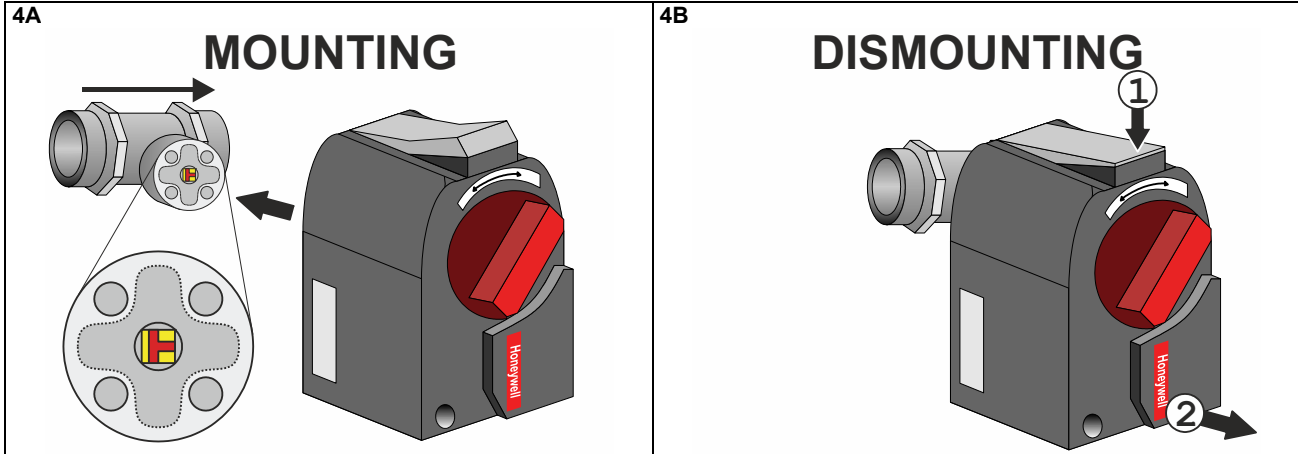
+55 °C
-20 °C
AMBIENT TEMPERATURE RANGE

3

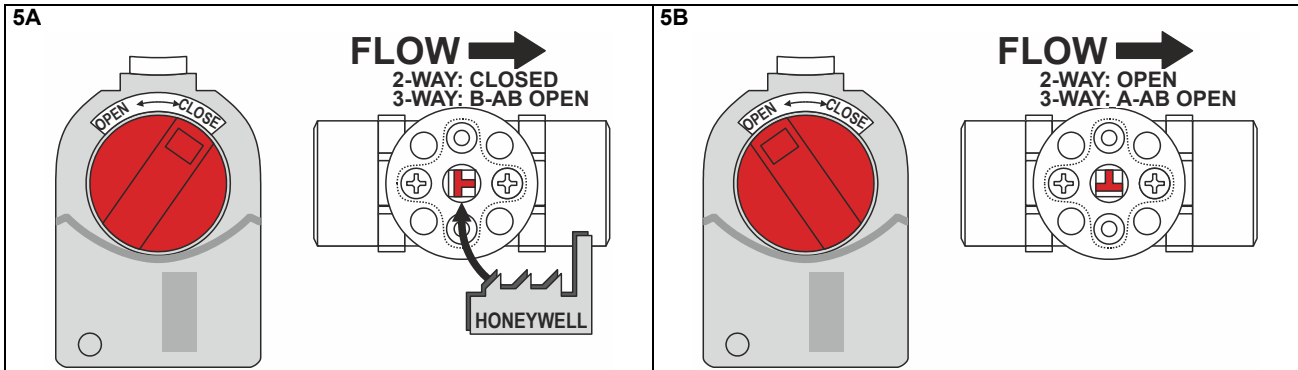


IP40

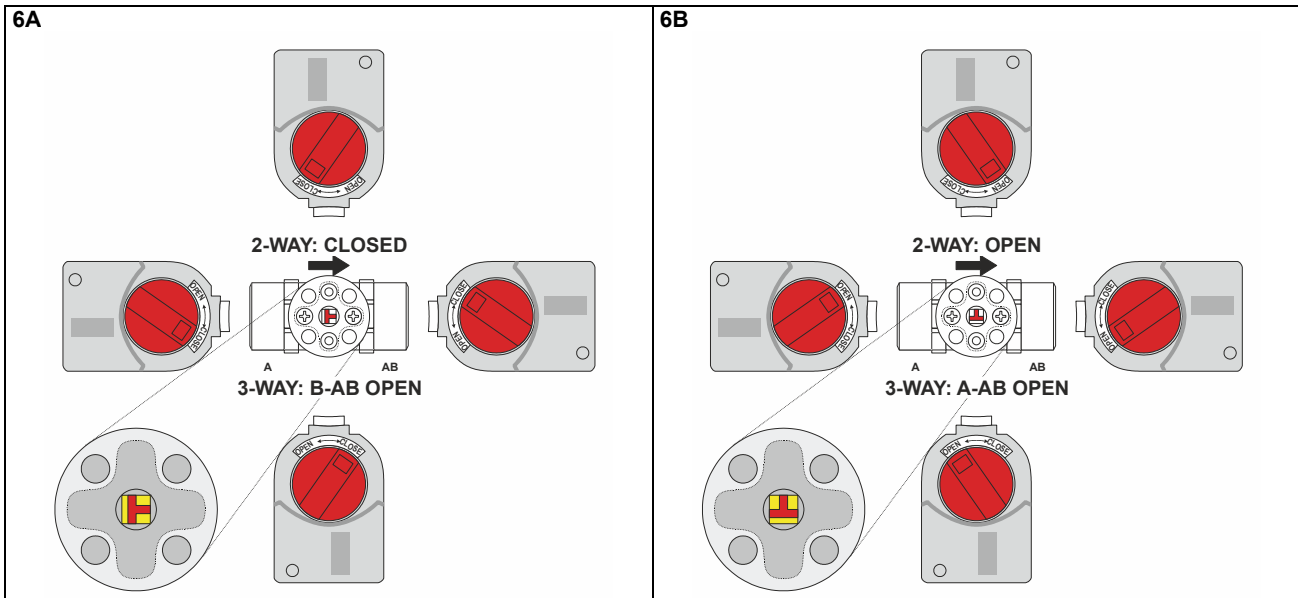
MOUNTING TO / DISMOUNTING FROM 2-WAY AND 3-WAY VALVES



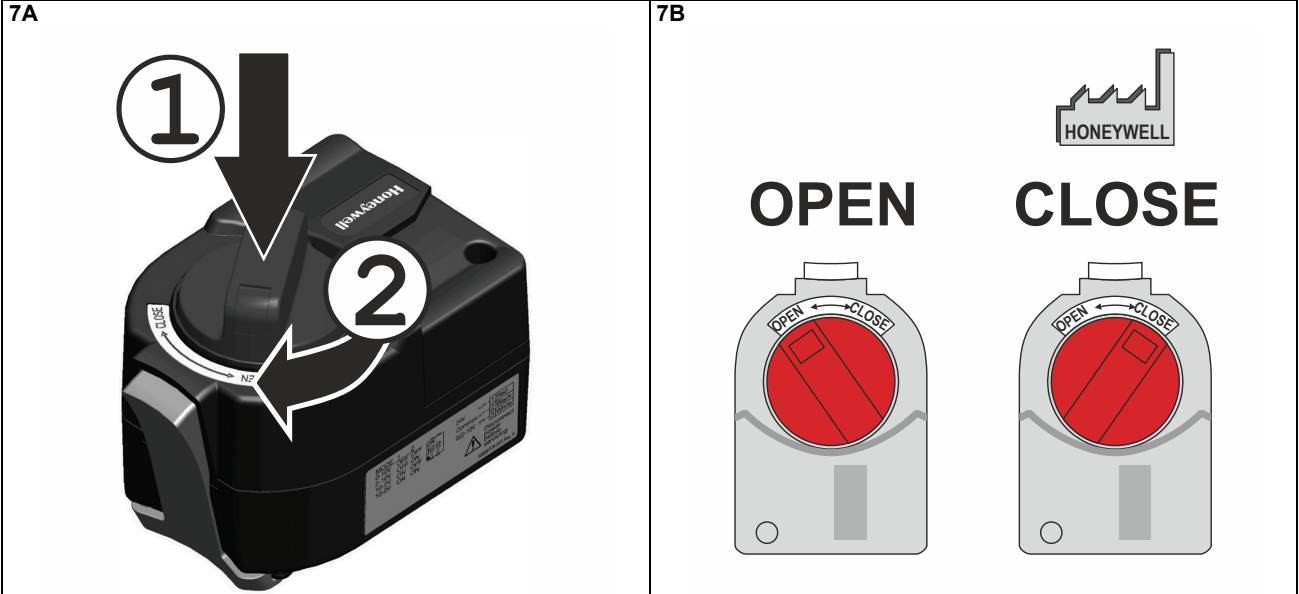
ORIENTATION OF BALL IN VALVE



MOUNTING POSITIONS OF ACTUATOR



MANUAL OPERATION



WIRING

8A: OPENING COVER

MVN663A

NEUTRAL	N	2	BLUE
230 VAC, CCW	L	3	BROWN
230 VAC, CW	L	4	BLACK

MVN613A / MVN643A

COMMON	⊥	2	BLACK
24 VAC, CCW	~	3	WHITE
24 VAC, CW	~	4	BROWN

MVN713A

24 V	~/+	1	RED
COMMON	⊥/-	2	BLACK
0(2) ... 10 V	Y↔	3	WHITE

8B: MVN613A / MVN643A

FLOATING ACTUATOR

MVN613A: 24 VAC
MVN643A: 24 VAC/DC

CONTROLLER

8C: MVN613A / MVN643A

FLOATING ACTUATOR

MVN613A: 24 VAC
MVN643A: 24 VAC/DC

2-POS. / FLOATING CONTROLLER

8D: MVN663A

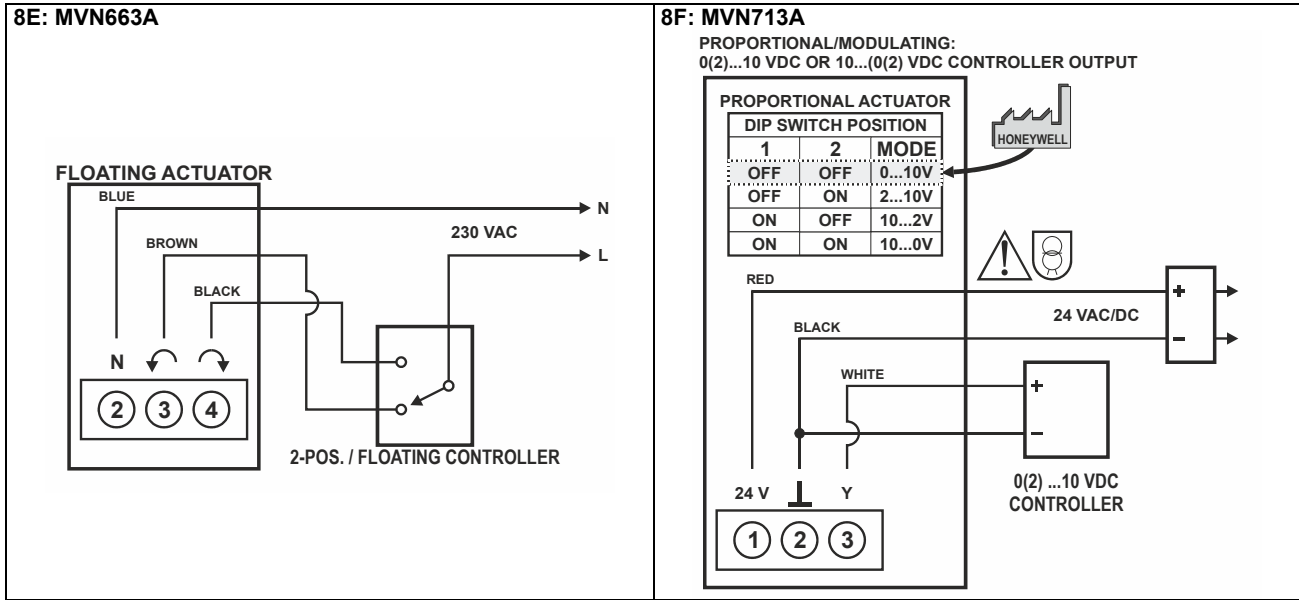
FLOATING ACTUATOR

230 VAC

N

L

CONTROLLER



POWER SUPPLY. PROVIDE MEANS FOR DISCONNECTING AND FOR OVERLOAD PROTECTION, AS REQUIRED.

APPROVALS, CERTIFICATIONS

Conforms to the following requirements per European Consortium (EC) standards: EN 60730-1/A2; 2008

Information as per EN 60730

Environmental conditions	For use in home (residential, commercial, and light-industrial) environments
Pollution degree	
MVN663A	2
MVN613A, MVN643A, MVN713A	3
Protection class	
MVN663A	Class II
MVN613A, MVN643A, MVN713A	Class III
Rated impulse voltage	2.5 kV
Mode of operation	Type 1

DISPOSAL

WEEE: Waste Electrical and Electronic Equipment Directive	
	<ul style="list-style-type: none"> ▪ At the end of the product life, dispose of the packaging and product in an appropriate recycling center. ▪ Do not dispose of the device with the usual domestic refuse. ▪ Do not burn the device.

Honeywell

Manufactured for and on behalf of the Environmental & Energy Solutions Division of Honeywell Technologies Sàrl, Rolle, Z.A. La Pièce 16, Switzerland by its Authorized Representative:

Automation and Control Solutions

Honeywell GmbH
 Böblinger Strasse 17
 71101 Schönaich, Germany
 Phone +49 (0) 7031 637 01
 Fax +49 (0) 7031 637 740
<http://ecc.emea.honeywell.com>

MU1B-0492GE51 R0916C

Subject to change without notice